

# *Koolbreeze*

## **Climateasy 12**



**Portable Air Conditioner  
3.5kW (12000 BTU/hour)  
Model Number P12HCP**

**Air Conditioning**

**Heating**

**Cooling**

**Dehumidifying**

**Remote control**

**3 Fan speeds**

**LED display panel**

**24 Hour timer**

# IMPORTANT

## Installer and Users please note:

These instructions should be read carefully and left with the user of the product for future reference.

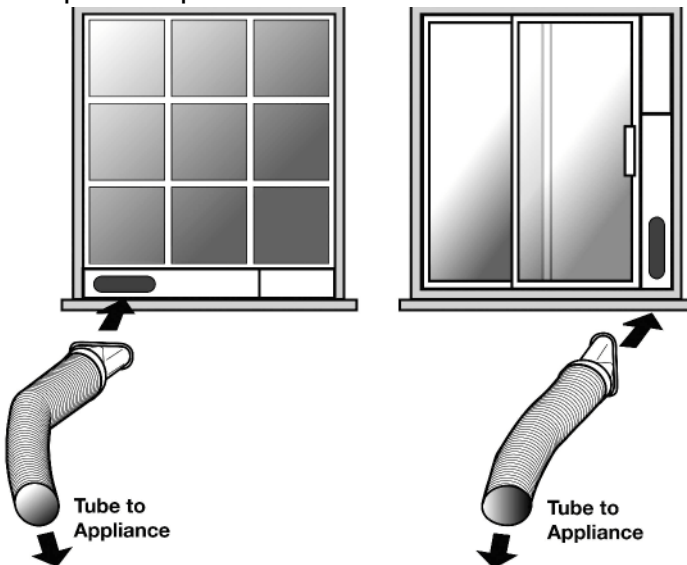
## BEFORE USE

Inspect the product including its cable and plug for any signs of damage. If the product is damaged, DO NOT use it, and contact your supplier immediately. The appliance contains a refrigerant gas, so must be kept upright at all times. After unpacking wait 3 hours for the refrigerant gas to stabilise before use.

## INSTALLATION

Stand the CLIMATEASY 12 on a firm, flat, level surface.

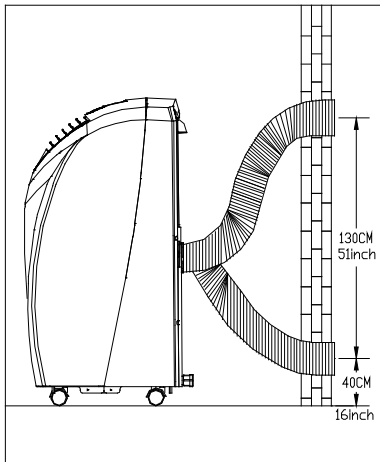
Connect the exhaust hose as follows: expand a small section of the end, and screw into the indoor adaptor; then slide the indoor adaptor into the slot at the back of the unit. Expand a small section of the other end of the hose, and screw into the fish-tail-shaped adaptor.



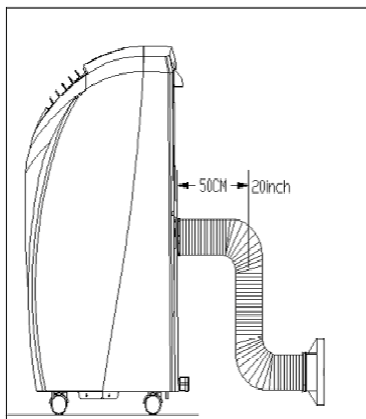
Slide the two-part window adaptor to the correct length to fit the window. Close the window as far as possible to keep the window adaptor in place. Clip the fish-tail shaped adaptor into the aperture in the window adaptor.

Keep the hose as straight as possible, avoid dips where the moisture from the exhaust air can condense and fill the tube with water. Do not allow the hose to be crushed.

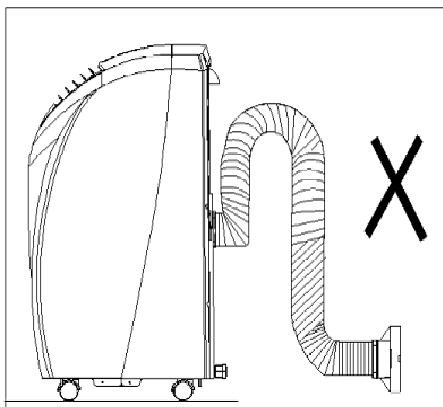
### Correct Mounting



### Correct bend of Exhaust



### Incorrect Bending of the Exhaust can cause malfunction



The hose can be expanded up to 1.8 m long, but the shorter it is the more efficiently the CLIMATEASY 12 will operate. **Do not extend the hose, or replace with another type of hose.**

### **Remote Control**

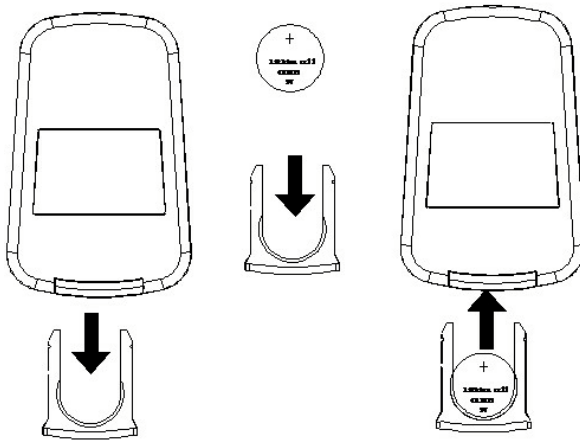
Fit one lithium 3V battery to the remote control, observing the correct polarity.

Use only lithium 3V batteries.

Remove the battery if the remote control is not used for a month or longer.

Do not attempt to recharge the supplied batteries.

Do not dispose of the batteries in a fire as they may explode.



### **GENERAL SAFETY REQUIREMENTS**

Domestic wiring must be tested periodically by a qualified electrician at least once every 10 years or at every change of occupancy.

For office and retail premises, and buildings such as village halls, the wiring must be inspected at least once every 5 years.

It is recommended that all buildings be fitted with smoke alarms (it is mandatory for new buildings).

## **PRODUCT SAFETY**

- This appliance is not intended for use by persons (including children) with reduced physical, sensory or mental capabilities, or lack of experience and knowledge, unless they have been given supervision or instruction concerning use of the appliance by a person responsible for their safety.
- Children should be supervised to ensure that they do not play with the appliance
- Place the appliance on a firm flat surface. Ensure that the it is kept upright at all times
- Ensure that there is at least 300mm (1') between the sides of the appliance and any flammable materials
- Ensure that there is at least 900mm (3') from the top of the appliance and any flammable materials.
- Do not place on soft surfaces.
- Do not cover.
- Do not obstruct the air intakes and exhausts.
- For indoor use only
- Not suitable for use in boats, caravans or similar locations.
- Do not use in bathrooms, or in wet locations.
- Do not place the mains lead beneath a carpet or rug.
- Do not use the appliance in locations where paint, petrol or other flammable liquids are used or stored.
- Always transport and store in an upright position.
- Do not allow the appliance to fall over when there is water in the bucket.

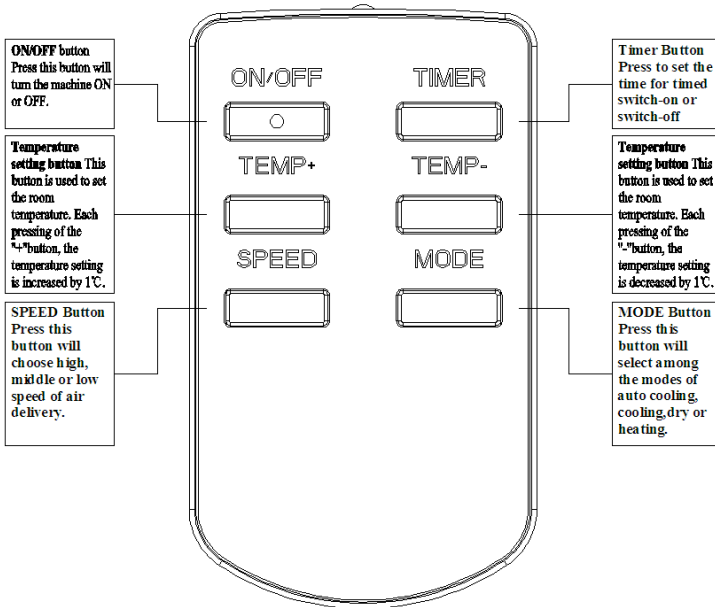
## **PAT TESTING.**

When used in an office environment, this product must be safety-tested yearly by a qualified electrician (PAT Tested) in order to comply with the Electricity at Work Regulations.

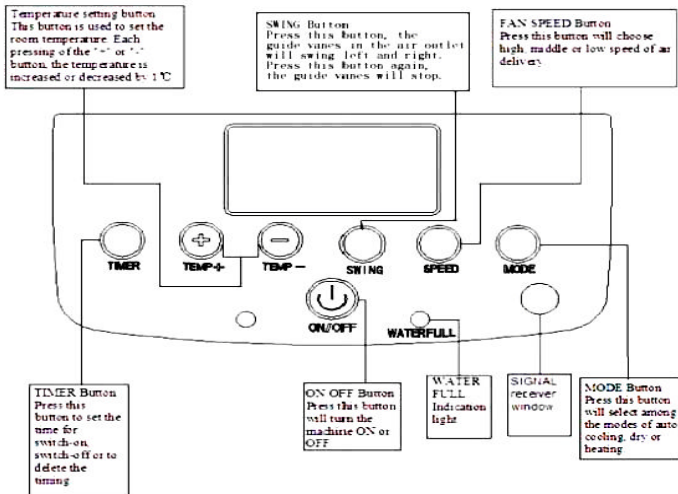
We recommend that it is PAT tested regularly when used in a domestic environment.

# CONTROLS

## REMOTE



## DISPLAY PANEL



## OPERATION

Leave the appliance in an upright position for 3 hours before first use.

Plug the mains lead into a 13 Amp mains socket (unless permanently installed)

If connecting via an extension lead, make sure that the lead is rated at 13 Amps or more, and that it is fully unwound. Switch the unit on at the mains socket.

**ON/OFF Button:** Press the "ON/OFF" button to start the unit. The Power indicator illuminates when the appliance is ON. There will be a short delay (of about a minute) before the appliance starts to operate.

**"MODE" Button:** Select the mode by pressing the "MODE" button. The available modes are:

**Automatic mode:** either heats or cools as required to maintain the selected room temperature. Then use the **TEMP+** and **TEMP-** buttons to select the desired room temperature. When the temperature reaches the desired temperature, the compressor will stop, and the fan will continue to run.

**Cooling mode:** cools if the room temperature is above the selected temperature. Then use the **TEMP+** and **TEMP-** buttons to select the desired room temperature. When the temperature reaches the desired temperature, the compressor will stop, and the fan will continue to run.

**Dehumidifying mode:** removes humidity, but does not effect room temperature. The fan operates at its lowest speed. For best results, do not use the exhaust tube, but fit a permanent drainage pipe to the drain outlet as shown on page 9.

**Fan mode:** circulates the air, but does not affect room temperature or humidity.

**Heating mode:** heats if the room is temperature is below the selected temperature. Then use the **TEMP+** and **TEMP-** buttons to select the desired room temperature. When the temperature reaches the desired temperature, the compressor will stop, and the fan will continue to run. Heating performance reduces if the outdoor temperature falls below 7 °C

**"SPEED" Button:** Set the fan speed using the fan speed control.

In all modes except dehumidifying mode. The fan speed can be low, medium or high. The fan speed is indicated by the speed of the segments on the windmill symbol on the LED display.

**TEMP+ and TEMP- buttons:**

Use the + and - buttons to select the desired room temperature. The temperature can be set to any temperature from 16 °C to 31 °C. Selecting a lower temperature whilst heating, or a higher temperature whilst cooling will reduce power consumption.

**SWING button:** Press the "SWING" button to turn the oscillation of the louvres on or off.

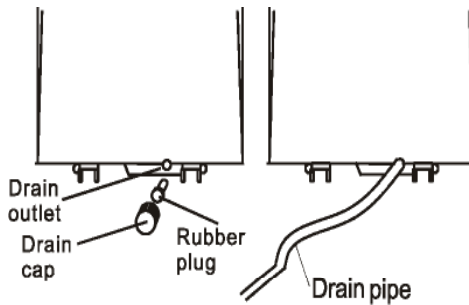
If the **"WATER FULL"** indicator lights, the condensate water tank is full. This should only happen very rarely, as most of the water collected is evaporated and sent down the exhaust air tube.

To empty the water, switch the unit off by pressing the ON/OFF button, wait for three minutes, and then disconnect from the mains supply. Place a drainage pan underneath the drain outlet plug (an the bottom of the unit, at the back in the centre). Withdraw the bung, and allow the water to drain into the drainage pan. Replace the bung, and reconnect the unit to the mains supply.



The water should be disposed of down a drain.

To avoid the need to empty the water, a permanent drain tube may be fitted as shown: use a piece of 18mm diameter tube (not supplied) and run the pipe to a drain, making sure that it runs downhill all the way.



Unplug the CLIMATEASY 12 from the mains when not in use.

## **USING THE TIMER**

The timer can set the unit to run for a selected time (between 1 and 24 hours) and then turn OFF.

Or, it can set the unit to wait for a selected time (between and 24 hours) before turning ON.

To select timed turn-off press the timer button whilst the unit is switched ON. Then adjust the time using the + and - buttons for the number of hours' delay before switching off.

To select timed turn-on press the timer button whilst the unit is switched OFF (connected to the mains supply but switch OFF using the ON/OFF button). Then adjust the time using the + and - buttons for the number of hours' delay before switching on.

To cancel the timer, press the TIMER button again.

## **USING THE REMOTE CONTROL**

The heating, cooling, dehumidifying and fan modes are selected in exactly the same way as using the control panel on the main unit.

## MAINTENANCE

Before cleaning, turn the appliance off, and disconnect from the mains supply. The appliance may then be cleaned using a damp cloth with a drop of washing-up liquid to remove any dust or dirt from the case. Do not use stronger detergents or solvents as these may damage the plastic.

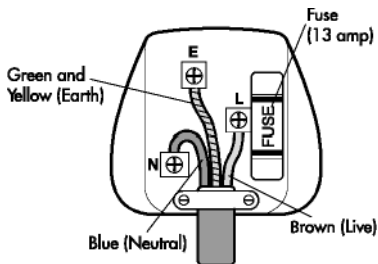
### Cleaning the filter:

The filter is located on the back panel of the appliance. Unclip to remove, then remove dust and dirt using a vacuum cleaner. The filter should be cleaned every two weeks to maintain optimum performance.

Using a dry 1" (25mm) paint-brush, remove any dust from the grilles.

If the mains lead is damaged, it must be replaced by the manufacturer or an authorised service centre. If the mains plug needs to be replaced, proceed as follows:

- Connect the brown wire to the terminal labelled "L".
- Connect the blue wire to the terminal labelled "N".
- Connect the green/yellow wire to the terminal labelled with the earth symbol or "E".
- Make sure that the cord-grip is positioned correctly (over the outer sheath of the cable) and it fully tightened.



## FAULT-FINDING

If the CLIMATEASY 12 is not operating, proceed as follows:  
Check that the mains plug is firmly in the socket, and that the socket is switched ON.

When the unit is switched on there will be a delay of about 1 minute before it starts to operate.

- **Unit stops running:**

Mains supply is disconnected or has failed

Target temperature has been reached.

Timer has been set.

Water tank is full (WATERFULL indicator will illuminate)

- **In cooling mode, no cool air is produced:**

Room temperature is lower than set temperature

The unit is defrosting (this will take a few minutes, and afterwards, it will resume operation)

Filter is blocked

- **Cooling is poor on hot days**

Too much direct sunshine is heating the room

Windows or doors are open allowing hot air into the room

A lot of people in the room (each person contributes about 75W of heating)

Electrical equipment in the room producing heat

- **Heating is poor on cold days**

The heat pump can only heat effectively when the outdoor temperature is above 7 °C. The unit is not intended as a primary means of heating premises.

- **Remote control does not work:**

Check batteries are correctly installed, and are not exhausted.

Make sure that the remote control is pointed towards the main unit when being used.

## **FAULT CODES**

If any error codes appear on the display, contact your local service agent.

**E0:** Open circuit or short circuit in room temperature sensor.

## **END OF SEASON STORAGE.**

Before putting the appliance into storage, empty all water from the drain, and run the appliance on "fan only" mode for a few hours to dry the inside thoroughly. Clean the filter, unplug the mains cable, and store the appliance in its origin box in an upright position.

## **DISPOSAL AND RECYCLING**

You must not dispose of this appliance with domestic household waste.

Most local authorities have specific collection system for appliances and disposal is free of charge to the end-user. When replacing an existing appliance with a similar new appliance your retailer may take the old appliance for disposal. This air conditioner contains R410a refrigerant gas. At the end of its life the disposal of this product must be in accordance with local regulations.

## TECHNICAL SPECIFICATION

Dimensions:	370×400×760 mm
Net Weight:	26.5 kg
Power supply:	230V ~
Power consumption (cooling):	1330 W
Power consumption (heating):	1320 W
Operating current (cooling):	6.1 A
Operating current (heating):	6.0 A
Heating capacity:	3500 W (12000 BTU/hour)
Cooling capacity:	3500 W (12000 BTU/hour)
Dehumidifying capacity:	36 litres/day
Working temperature (cooling):	16 - 32 °C
Working temperature (heating):	7 - 27 °C
Air flow:	350 m <sup>3</sup> /h
Refrigerant:	R410a (330 g)

## SERVICE WARRANTY

Cottage Stores LLP guarantees the product free from defects in materials and workmanship for a period of twelve months.

Should this unit be operated under conditions other than those recommended, at voltages other than the voltage indicated on the unit, or any attempts made to service or modify the unit, then the warranty will be rendered void. **Please Note:** any attempt to extend the exhaust hose will invalidate the warranty.

The product you buy may sometimes differ slightly from illustrations. This warranty is in addition to, and does not affect, your statutory rights. If you have any problems with this product, please **in the first instance call the retailer from whom you purchased it.**

Koolbreeze Division  
Cottage Stores LLP  
Claverdon Cottage  
The Green, Claverdon CV35 8LL  
United Kingdom